

Bulwark VA Swing Gate Openers

VA 400 domestic and VA 500 commercial swing gate openers



The Bulwark VA swing gate operators are high quality with a stainless steel body and a gearbox with steel machined gears.

Battery back up ensures operation during power failures and solar power is available, reducing the cost of installation if necessary.

The electronic damping ensures a smooth operation and the electronic safety sensing system will reverse the gate on closing and stop on opening if an obstruction is detected. An electric lock is advisable to secure the gate and prevent damage to the operator if the gate leaf is forced. We would also recommend fitting a safety beam.

The domestic Bulwark VA 400 operator is suitable for open framework gates up to 200kgs per leaf and 2 metres wide. It is supplied only as a double operator kit. The opening time is 10 seconds.

The commercial VA 500 operator is suitable for open framework gates up to 400kgs per leaf and 3 metres wide. It is supplied as a single or double operator kit. The opening time is 13 seconds.

All Bulwark VA openers are supplied with:

- All brackets needed to mount the operators
- A control panel with battery
- Three radio transmitters

The control panel has facilities for:

- An electric lock
- Auto close
- Safety beam input

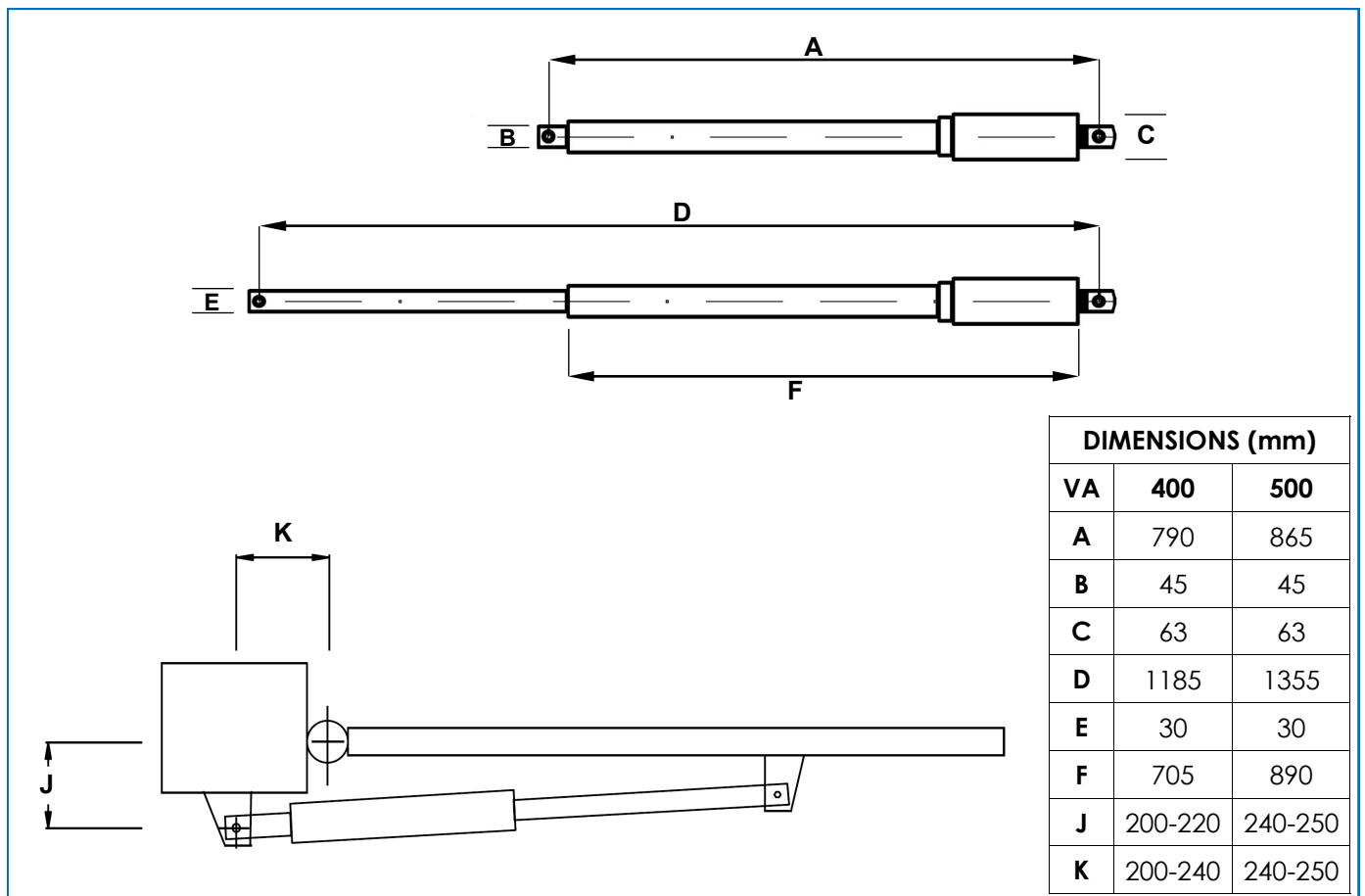


Radio Transmitters

Technical Specifications

Bulwark Swing Gate Openers	VA 400	VA 500
Supply Voltage	240vac or solar panel	240vac or solar panel
Battery Backup	12V 7Ah	12V 7Ah
Operating Voltage	DC 16 - 18V Normal Speed DC 6 - 10V Damping Speed	DC 16 - 18V Normal Speed DC 6 - 10V Damping Speed
Max. Length of Gate	2m per leaf	3m per leaf
Safety Clutch	Electronic Current Sensing	Electronic Current Sensing
Electronic Controller	Micro-Processor Based	Micro-Processor Based
Gate Limit Device	Electronic Logic	Electronic Logic
Temperature	0 to +80°C	0 to +80°C
Driving method	Screw drive	Screw drive
Gear box	machined steel spur gears	machined steel spur gears
Opening time	10 seconds	13 seconds
Operator body	Stainless steel	Stainless steel

Dimensions



Rotech supply all forms of door and gate automation

Vehicle Access Control

- Booms Gates
- Sliding Gates
- Swing Gates
- Industrial Door Openers
- Solar Powered Gate Openers

Pedestrian Access Control

- Full Height Turnstiles
- Waist Height Turnstiles
- Supermarket Gates/Turnstiles
- Wheelchair Access Gates
- Rapid Access Gates

Fast | Safe | Secure